

## differential pressure gauges PN 100 with single diaphragm DS 6" (150mm)



PED 2014/68/UE ATEX 2014/34/UE TP TC 012/2011

These instruments are designed for measuring differential pressures of gases and liquids which do not have high viscosity and do not crystallize.

### 2.13 - Standard Model

**Accuracy class:** 2,5 as per EN 837.

**Scale amplitude:** 180°.

**Static Pressure:** max 1500 psi (100 bar).

**Ambient temperature:**

-4...+149 °F (-20...+65 °C), IP55 housing (IEC 529);

-63...+149 °F (-53...+65 °C), vented IP65/67 housing (IEC 529);

-76...+149 °F (-60...+65 °C), silicon oil filled.

**Process fluid temperature:** +302°F (-40...+150 °C).

**Thermal drift:** ±0,8% applied to variations of ±10 °C

**Protection degree:** IP 55 as per EN 60529/IEC 529.

**Socket material:** AISI 316L st.st.

**Elastic element:** Duratherm diaphragm.

**Gasket:** VITON and PTFE.

**Case:** stainless steel

**Ring:** stainless steel, bayonet lock

**Window:** tempered glass.

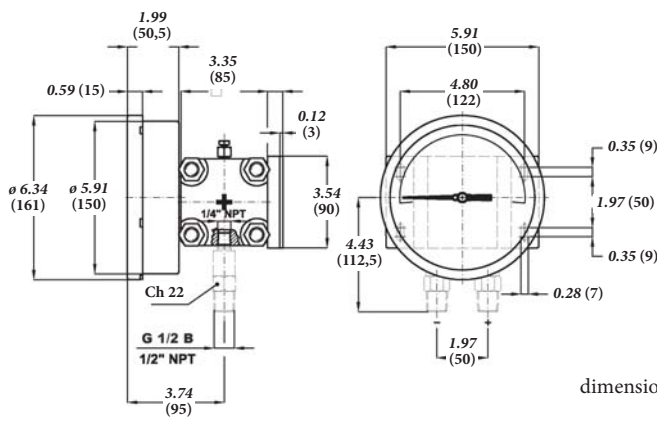
**Movement:** stainless steel.

**Dial:** aluminium, white with black markings

**Pointer:** adjustable, aluminium, black.

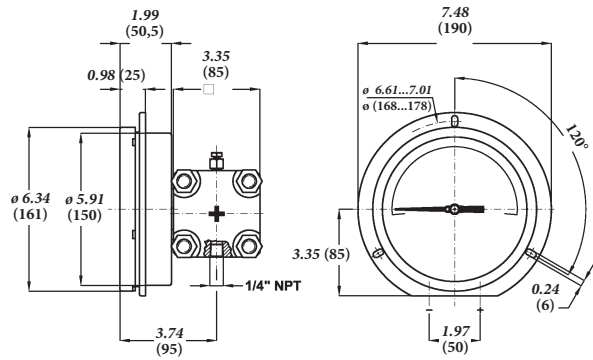
**Weight:** 12.12 lbs (4,8 kg).

RANGE	mbar	mmH <sub>2</sub> O	bar	kPa
0...0,4			◆	
0...0,6			◆	
0... 1			◆	
0...1,6			◆	
0...2,5			◆	
0...4			◆	
0...6			◆	
0...10			◆	
0...16			◆	
0...25			◆	
0...40				◆
0...60				◆
0...100				◆
0...160				◆
0...250				◆
0...400	◆			◆
0...600	◆			◆
0...1000	◆			◆
0...1600	◆			
0...2500	◆			
0...4000		◆		
0...6000		◆		
0...10000		◆		



dimensions : inches (mm)

**Lower (Mounting code A) , with back flange (Option code C)**



**Lower (Mounting code A) , with front flange (Option code E)**

**OPTIONS**

<b>C</b> - Back flange	<b>R10</b> - Case glycerine filling - IP 65/67 - T.a. 0...+65 °C
<b>E</b> - Front flange	<b>R11</b> - Case filling with silicon oil - IP 65/67 - T.a. -20...+65 °C
<b>C40</b> - Case and ring AISI 316L st.st.	<b>S31</b> - 2" pipe mounting bracket
<b>E67</b> - Protection degree IP65/67	<b>T01</b> - Tropicalization
<b>L22</b> - Maximum pointer IP65 on Plexiglas window	<b>T32</b> - Safety glass window
<b>2G2</b> - ATEX II 2G Ex h - T.a. -20...+60 °C (1)	<b>ECV</b> - Vented housing version - T.a. -53...+65 °C (6) (7)
<b>2D2</b> - ATEX II 2G Ex h - T.a. -20...+60 °C (1, 2)	<b>S60</b> - Silicone oil filling - IP 65/67 - T.a. -60...+65 °C
<b>2D0</b> - ATEX II 2G Ex h - T.a. 0...+60 °C (1, 3)	
<b>2D5</b> - ATEX II 2G Ex h - T.a. -53...+60 °C (1, 4)	
<b>2D6</b> - ATEX II 2G Ex h - T.a. -60...+60 °C (1, 5)	

- (1) For constructive details see ATEX execution catalogue sheet
- (2) to be ordered with R11 option
- (3) to be ordered with R10 option
- (4) to be ordered with ECV + E67 option

- (5) to be ordered with S60 option
- (6) to be ordered with E67 option
- (7) choose model with filled case if corrosive atmospheres are involved

**“HOW TO ORDER” SEQUENCE**

Section / Model / Case / Mounting / Diameter / Special version / Range / Process connection / Options  
**2 13 1 A G --- 41M - G 1/2 A M C, E**  
**43M - 1/2" NPT M C40...S60**  
**23F - 1/4" NPT F**

